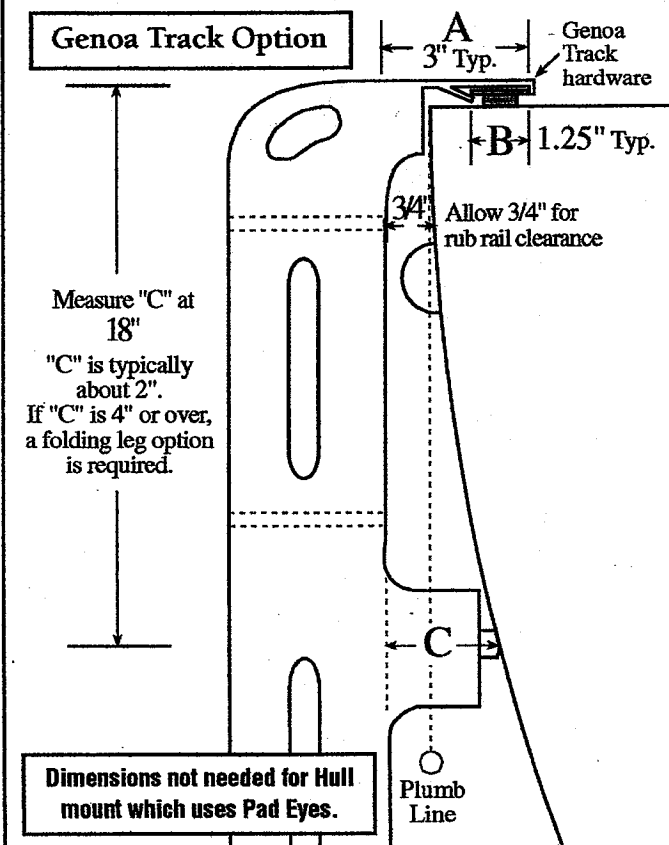


# Specifications for Ladder Mounting Hardware

Hanging hardware is ordered separately. For genoa track, toe-rail or teak cap specify dimensions for A, B & C. Dimensions not needed for Hull mount which uses Pad Eyes. If you need additional info, contact us at 1-800-899-3996.

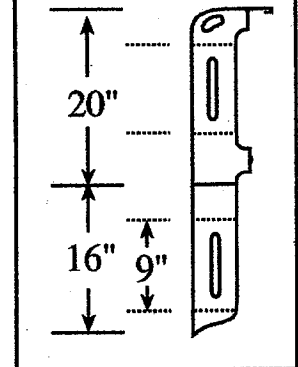
## PROVIDE DIMENSIONS: A B & C



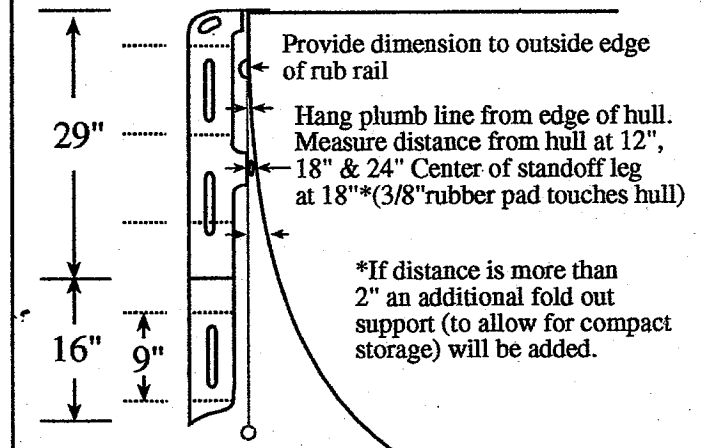
## LADDER LENGTHS

- 2-Step: 20" (Deep steps for live-aboards)
- 4-Step: 36" (Folds to 20")
- 5-Step: 45" (Folds to 29")
- 6-Step: 53" (Folds to 29")

### 4-STEP

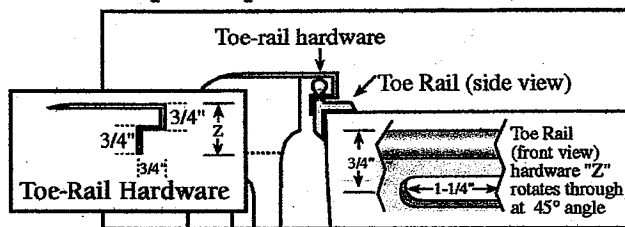


### 5-STEP

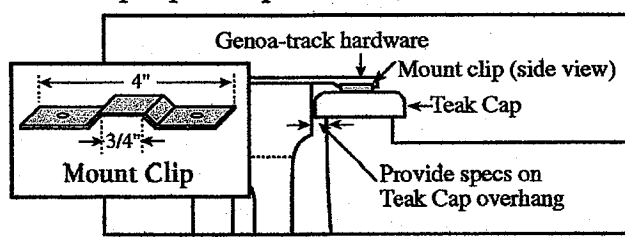


## ADDITIONAL HARDWARE OPTIONS

### Toe Rail Option (provide A, B & C above)



### Teak Cap Option (provide A, B & C above)



### 6-STEP

